

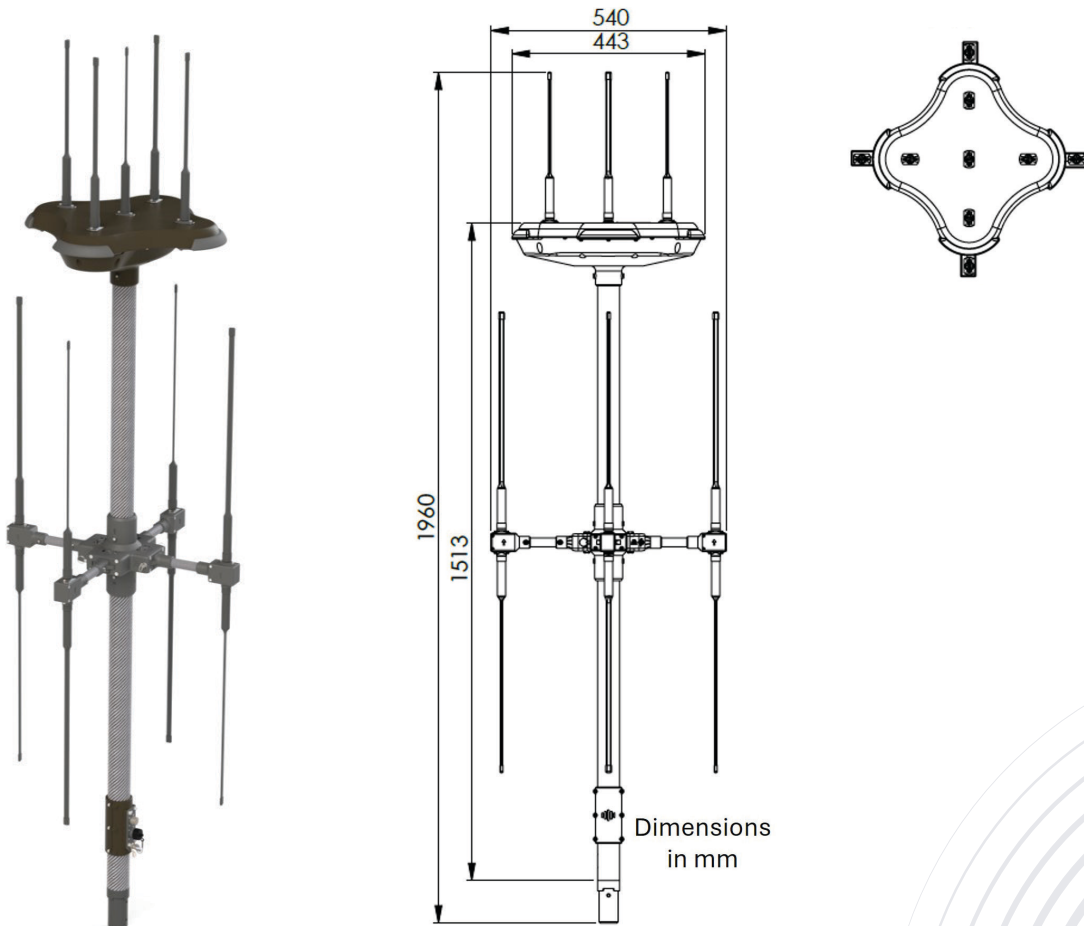
# TACTICAL LOW FREQUENCY DIRECTION FINDING SYSTEM FOR DEFENSE FORCES

The **RFeye DFH500** provides a tactical direction-finding head with compact DF antennas.

It can be attached to any RFeye Node. The result is a unique combination of functionality and performance in a system of this size. It adds a robust, reliable extension for intelligence and electromagnetic EW system direction finding in a tactical form-factor. The system is small, rapidly deployable and ruggedized. It is suitable for stationary and mobile (dismounted) deployment. It enables mission-critical intelligence when it's needed. The system comes with multiple deployment configurations to suit your operational needs.

## CONCEPT OF OPERATIONS

- Reliable VHF / UHF direction finding
- Real-time line-of-bearing  
30MHz - 500MHz
- Supports ISR, locating low band radio and communication signals, interference sources and radio monitoring
- Extended operating time with swappable battery packs, solar pack options
- Easy integration with RFeye Node
- Flexible and easy to use



## ILLUSTRATIVE PERFORMANCE



DF Head	
DF frequency range	30 MHz to 500 MHz
DF accuracy	5° RMS typical
Polarization	Vertical

Monitoring Node - compatible with all RFeye Nodes			
RFeye Node	Node 40-8	Node 100-8	Node/Node Plus 100-18
Spectrum Monitoring frequency range*	30 MHz to 8 GHz	30 MHz to 8 GHz	30 MHz to 18 GHz
Instantaneous bandwidth	40 MHz	100 MHz	100 MHz
Scan rate	245 GHz / sec	390 GHz / sec	390 GHz / sec

\*lower frequency limit 30 MHz with standard omni antenna. Nodes operate down to 9 kHz with larger HF antenna

General Specifications	
Networked operation	Yes
Weight of Low-band DF Head	7 kg
Dimensions of Low-band DF Head	54 x 54 x 196 cm
Power consumption	10W typical (not including Node)
Power supply	12V DC
Operating temperature	-20°C to +55°C

### INTEROPERABILITY

The DFH500 is interoperable with other RFeye products, for multi-site monitoring and geolocation. The DFH500 can be used in a network with other RFeye Nodes for TDOA and AOA geolocation.

### BENEFITS

- Small form-factor
- Low-band DF compact head
- Rapid deployment
- Highly configurable
- Expandable performance
- Intuitive GUI operation with rugged laptop or tablet

## RELATED EQUIPMENT



CRFS is an RF technology specialist for the defense industry, national security agencies, and systems integration partners. We provide advanced capabilities for real-time spectrum monitoring, situational awareness, and electronic warfare support to help our customers understand and exploit the electromagnetic environment.



**CRFS Inc**  
Chantilly,  
VA, USA  
+1 571 321 5470

**CRFS Ltd**  
Cambridge,  
United Kingdom  
+44 (0) 1223 859 500

CRFS and RFeye are trademarks or registered trademarks of CRFS Limited. Copyright © 2025 CRFS Limited. All rights reserved. No part of this document may be reproduced or distributed in any manner without the prior written consent of CRFS. The information and statements provided in this document are for informational purposes only and are subject to change without notice.



UK Certificate number: FS576625